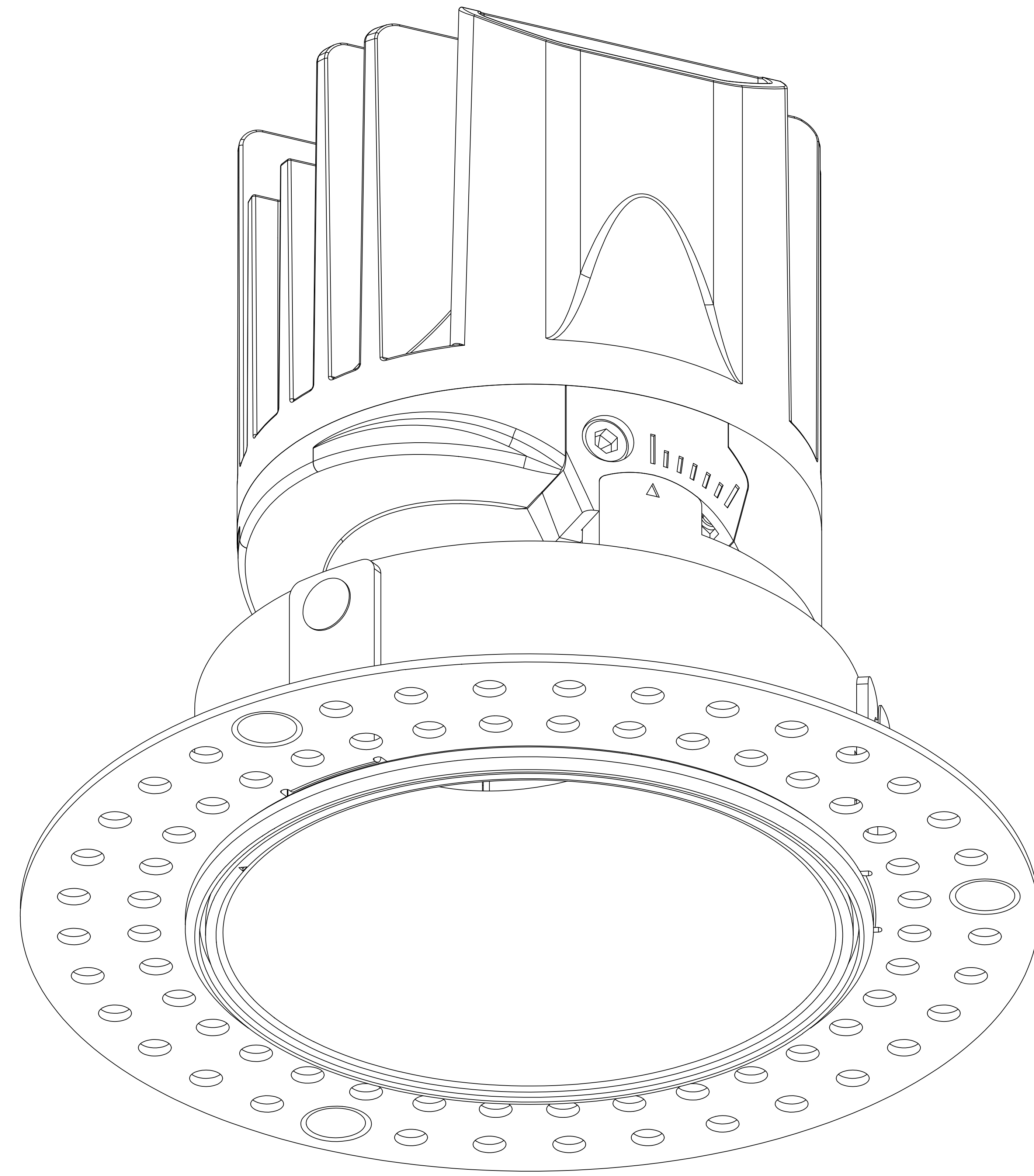
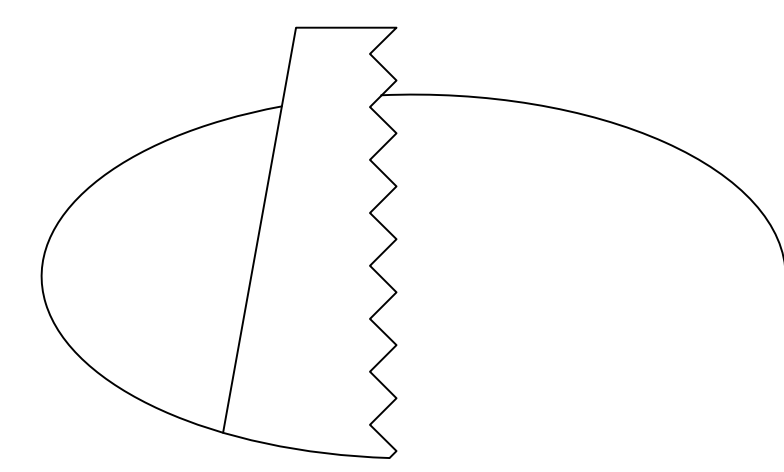
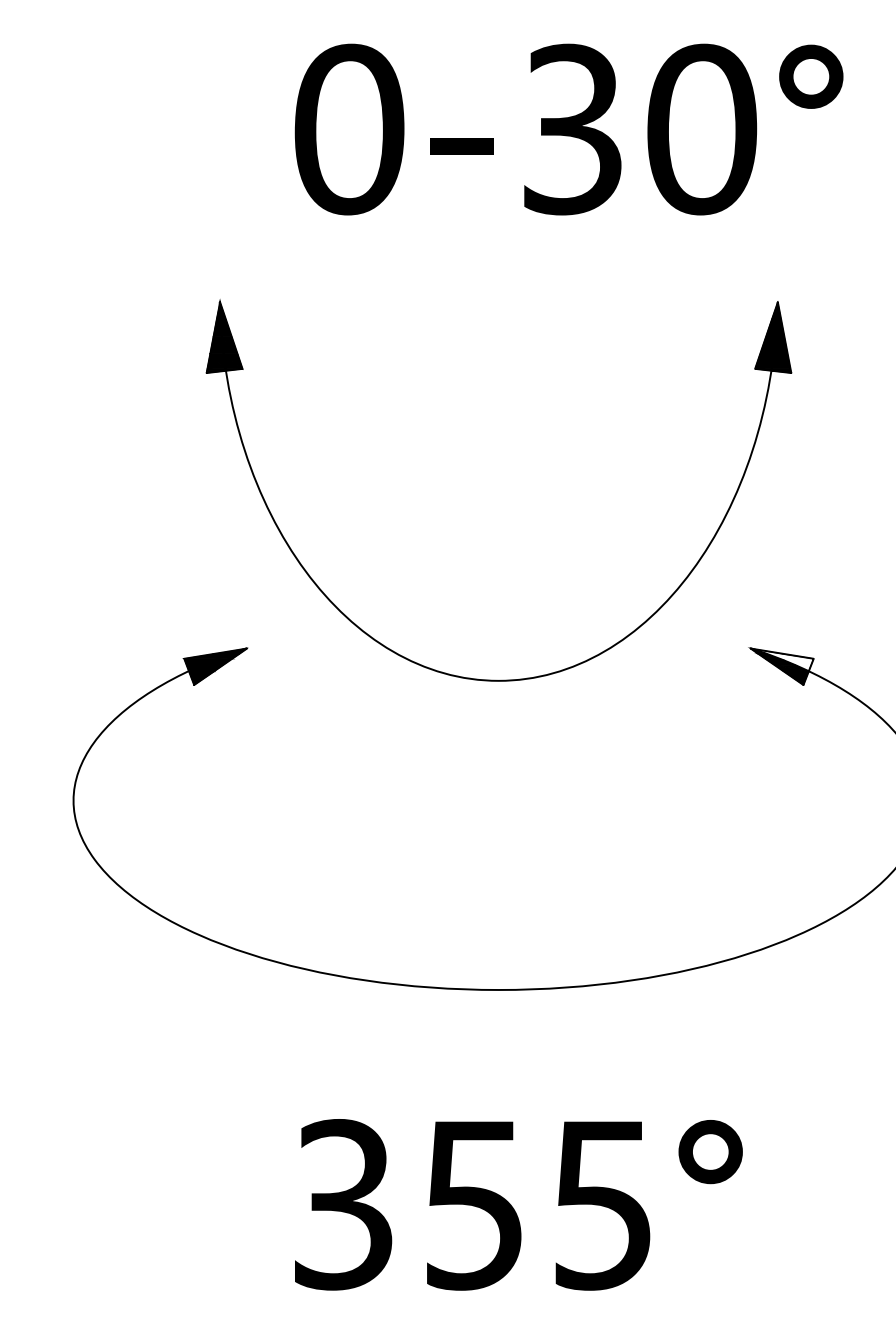


97



∅ 73



∅ 75